

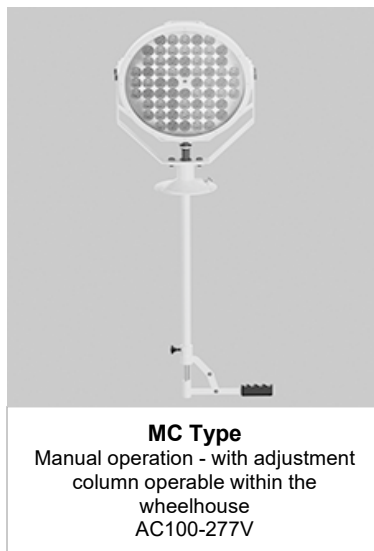
**PRODUCT INTRODUCTION**

Our searchlight has an excellent focused beam, with nearly parallel light rays and long range of up to 3000 meters. It is a perfect solution for applications where high visibility at a small spot is needed, such as searching operation, rescuing operation, lighting icebergs, lighting narrow channel, etc. With using only high-quality materials, it creates the best performing LED searchlight in the market.

**FEATURES**

- Excellent focused optics 3.5° for long range illumination up to 3000m
- Low power consumption compared to halogen/HID/MH searchlights, consuming only 75W to 240W
- Input voltage: AC100-277V for MD & MC Types; AC110V or 220V for EC Type
- Corrosion resistant Aluminum housing with stainless steel mounting hardwares
- UV-resistant toughened glass lens
- High protection level, up to IP68, suitable for harsh weather conditions
- High impact resistance, meeting IK10
- High vibration resistance, meeting 3G standards
- Low profile, lightweight, anti 17-level wind power
- Long LED Lifespan, more than 50,000 hours, low maintenance, no bulb replacement
- Warranty: 2 years for marine applications, 5 years for non-marine applications

**OPERATION TYPES**



**SPECIFICATIONS**

Model No.	6H75L	6H100L	6H150L	6H180L	6H240L
Power	75W	100W	150W	180W	240W
Lumen	5,020 LM	6,700 LM	10,040 LM	12,080 LM	16,080 LM
Color Temp.	6000K	6000K	6000K	6000K	6000K
Beam Angle	3.5°	3.5°	3.5°	3.5°	3.5°
Candlepower	1,146,936 cd	1,530,771 cd	2,293,872 cd	2,759,957 cd	3,673,851 cd
Fixture Color	White(STD.)	White(STD.)	White(STD.)	White(STD.)	White(STD.)
Chips Brand	CREE	CREE	CREE	CREE	CREE
IP Rating	IP68	IP68	IP68	IP68	IP68
Operating Temp.	-30°C to +40°C	-30°C to +40°C	-30°C to +40°C	-30°C to +40°C	-30°C to +40°C
Average Lifespan	50,000 hours	50,000 hours	50,000 hours	50,000 hours	50,000 hours
Voltage	AC100-277V for MD & MC Types; AC110V or 220V for EC Type				
Pan/Tilt Range	Control for MC & EC Types: Pan 0°~ 350° , Tilt -30°~ +30°				
Warranty	2 years for marine applications; 5 years for non-marine applications				

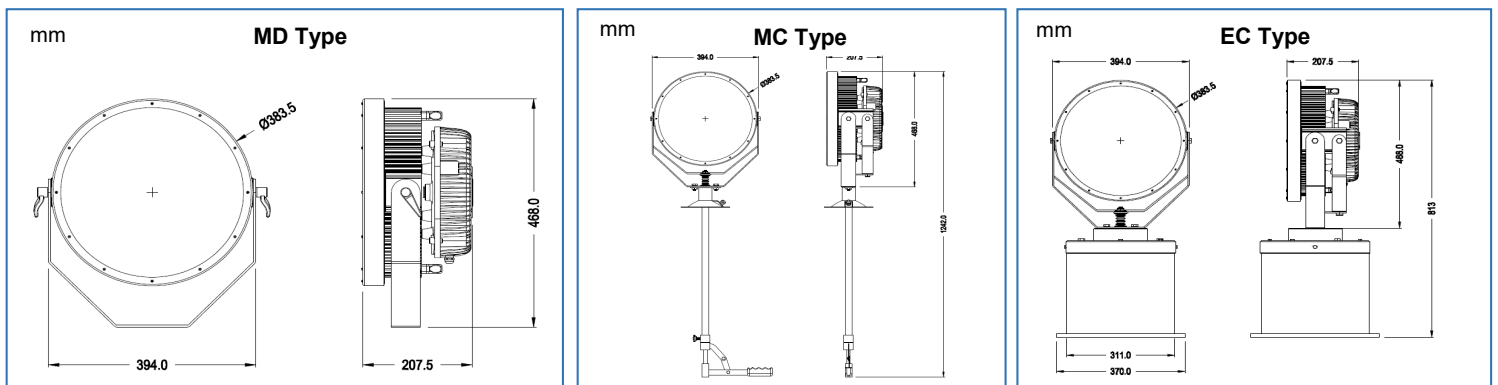
**Note:** Illumination distances are difficult to predict and deteriorate rapidly when haze, smoke, fog or smog is present.

**PERFORMANCE**

Wattage	Light Output	Beam Angle	Candlepower	illumination Distance (m)	illumination Diameter (m)	illumination Area (m <sup>2</sup> )	illuminance (lx)
75W	5,020 LM	3.5°	1,146,936 cd	500	31	733	4.59
				750	46	1648	2.04
				1000	61	2931	1.15
				1250	76	4579	0.73
				1500	92	6594	0.51
100W	6,700 LM	3.5°	1,530,771 cd	750	46	1648	2.72
				1000	61	2931	1.53
				1250	76	4579	0.98
				1500	92	6594	0.68
150W	10,040 LM	3.5°	2,293,872 cd	1750	107	8975	0.50
				1250	76	4579	1.47
				1500	92	6594	1.02
				1750	107	8975	0.75
180W	12,080 LM	3.5°	2,759,957 cd	2000	122	11722	0.57
				2250	137	14836	0.45
				1500	92	6594	1.23
				1750	107	8975	0.90
				2000	122	11722	0.69
240W	16,080 LM	3.5°	3,673,851 cd	2250	137	14836	0.55
				2500	153	18316	0.44
				2000	122	11722	0.92
				2250	137	14836	0.73
				2500	153	18316	0.59
				2750	168	22162	0.49
				3000	183	26375	0.41

Note: Illumination distances are difficult to predict and deteriorate rapidly when haze, smoke, fog or smog is present.

**DIMENSIONS**



Due to our continued efforts to improve our products, product specifications are subject to change without notice.

Phone: 86-755-8340-5100 | Fax: 86-755-8224-7517 | Add: Shenzhen, China

For more information please visit our website: [www.greeninova.com](http://www.greeninova.com)

REV. 9/22/2020